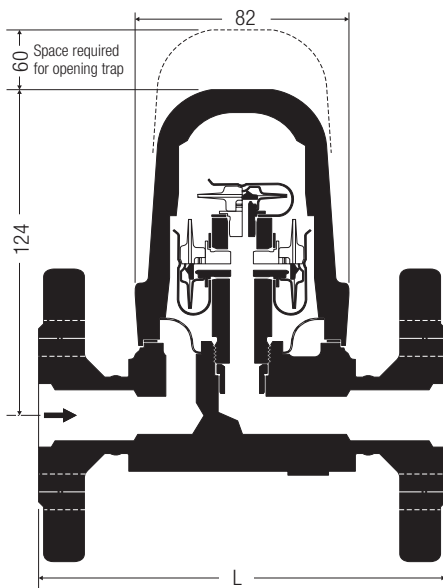


MK 35/2S, DN 25



MK 35/2S3, DN 25

Steam Traps

MK 35/2S, MK 35/2S3

PN 40 / Class 150, 300, DN 25 (1")

Description

Thermostatic steam trap with corrosion resistant thermostatic capsule (membrane regulator) unaffected by waterhammer. With integral strainer.

Asbestos-free cover gasket (graphite/CrNi). Installation in any position.

MK 35/2 S

With **two** thermostatic capsules 5 H 2. For condensate flowrates up to 1100 kg/h at Δp 5 bar.

MK 35/2 S 3

With **three** thermostatic capsules 5 H 2. For condensate flowrates up to 1700 kg/h at Δp 5 bar.

Pressure/Temperature Ratings		PN 40				
Body material		1.0460 (P250GH / C22.8) / ASTM A105				
Nominal size (DN)		25				
Connection		Flanged PN 40, EN 1092-1, WG 3EO				
Max. allowable pressure PMA	[barg]	40	30.2	25.8	23.1	
	[psig]	580	437	370	335	
Inlet temperature TMA	[°C]	20	200	300	400	
	[°F]	68	392	572	752	

Pressure/Temperature Ratings		Class 300				
Body material		1.0460 (P250GH / C22.8) / ASTM A105				
Nominal size (DN)		25				
Connection		Flanged ASME Class 300, B16.34, Group 1.1				
Max. allowable pressure PMA	[barg]	51	43.9	38.9	34.6	28.7
	[psig]	740	637	565	500	419
Inlet temperature TMA	[°C]	20	200	300	400	425
	[°F]	68	392	572	752	797

Pressure/Temperature Ratings		Class 150				
Body material		1.0460 (P250GH / C22.8) / ASTM A105				
Nominal size (DN)		25				
Connection		Flanged ASME Class 150, B16.34, Group 1.1				
Max. allowable pressure PMA	[barg]	19.7	14	10.2	6.5	5.6
	[psig]	288	203	149	94	81
Inlet temperature TMA	[°C]	20	200	300	400	425
	[°F]	68	392	572	752	797

Max. admissible differential pressure ¹⁾²⁾		
Differential pressure	ΔPMX	22 barg (319 psig)

¹⁾ Take pressure/temperature ratings into consideration. ²⁾ **Inlet** pressure minus **outlet** pressure

Materials	EN	DIN	ASTM
Body	P250GH (1.0460)	C22.8 (1.0460)	A105
Cover MK 35/2S	P250GH (1.0460)	C22.8 (1.0460)	A105
Cover MK 35/2S3	P250GH (1.0460)	C22.8 (1.0460)	A105
Bolts	42CrMo4 (1.7225)	42CrMo4 (1.7225)	A193 B7
Body gasket	Graphite		
Thermostatic capsule	Hastelloy / Stainless steel		
Other internals	Stainless steel		

Dimensions and Weights		Flanged	DIN	Flansche	ASME	Screwed sockets Socket-weld ends		Butt-weld ends	
Nominal size	[mm]	25		25		25		25	
	[inch]	1		1		1		1	
Overall length L	[mm]	160		160		95		250	
Approx. weight [kg]	MK 35/2S	6.3		6.3		3.9		4.4	
	MK 35/2S3	6.3		6.3		3.9		4.4	

Steam Traps

MK 35/2S, MK 35/2S3 PN 40 / Class 150, 300, DN 25 (1")

Capacity Chart

The chart shows the maximum capacities for hot and cold condensate.

MK 35/2 S

Curve 4:

Condensate temperature 10 K below saturation temperature.

Curve 2:

Cold condensate at 20 °C (at start-up).

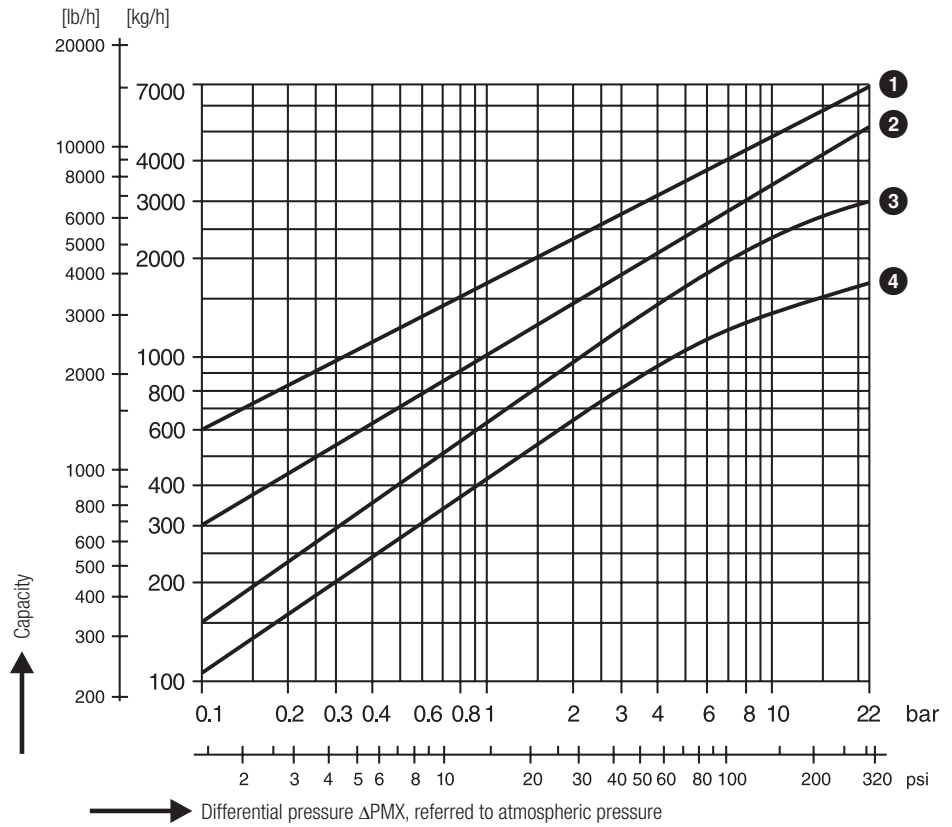
MK 35/2 S 3

Curve 3:

Condensate temperature 10 K below saturation temperature.

Curve 1:

Cold condensate at 20 °C (at start-up).



When ordering please state:

Steam pressure, back pressure, quantity of condensate to be discharged, type, size, connections, mounting position of the trap and details of application.

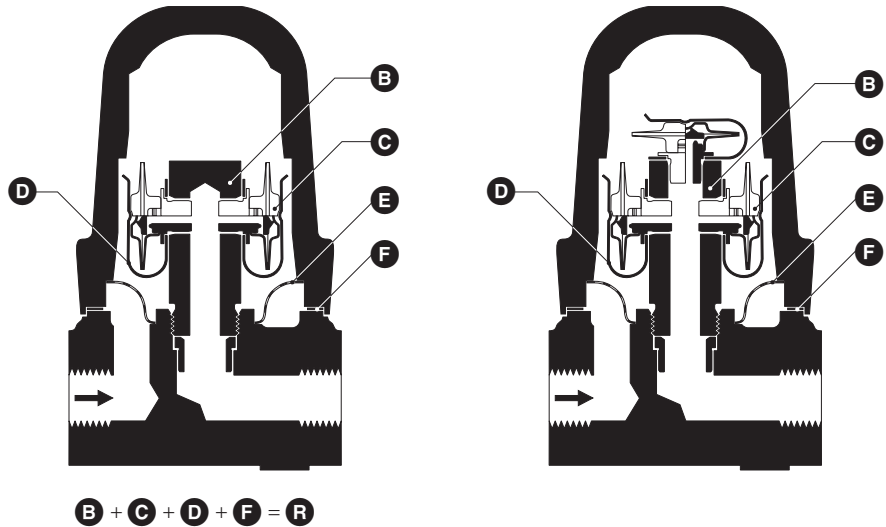
The following test certificates can be issued on request, at extra cost:

In accordance with DIN EN 10204/2.2 and -3.1B. All inspection requirements have to be stated with the order. After supply of the equipment certification cannot be established. For tests and inspection charges please consult us.



These products comply with the requirements of the EC Pressure Equipment Directive (PED) 97/23. All sizes are excluded from the scope of the PED and must **not** bear the CE marking.

Supply in accordance with our general terms of business.



Item	Designation	Stock code	
		MK 35/2S	MK 35/2S3
R	Regulator with cover gasket	376730	376731
C	Capsule 5H2 ¹⁾	376174	376174
F	Gasket ²⁾ 67 x 77 x 1	560493	560493
E	Strainer, cover gasket	376732	376732

¹⁾ Packed 10 per box. Contact your local dealer for smaller quantities.

²⁾ Packed 20 per box. Contact your local dealer for smaller quantities.

GESTRA AG

Münchener Straße 77, 28215 Bremen, Germany
Telefon +49 421 3503-0, Telefax +49 421 3503-393
E-mail info@de.gestra.com, Web www.gestra.de

GESTRA

Distributor : Energy Technology Co., Ltd.

Tel.: +66 2 721 3860 - Fax.: +66 2 721 3869 - E-mail: sales@energytechnology.co.th - http:// www.energytechnology.co.th